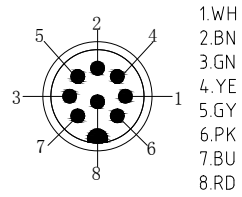
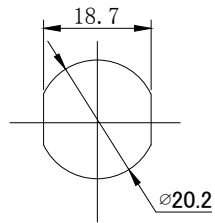


FEMALE END VIEW

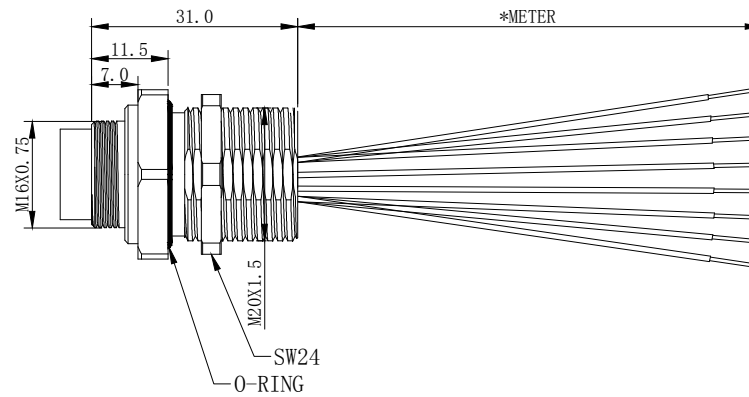
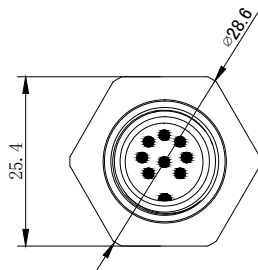


PANEL CUT-OUT



SPECIFICATIONS

| | |
|--------------------------------|---------------|
| CONTACT CARRIER MATERIAL/COLOR | PA6/BLACK |
| CONTACT MATERIAL/PLATING | BRASS/GOLD |
| COUPLING NUT MATERIAL/PLATING | BRASS/NICKEL |
| RATED CURRENT | 7A |
| RATED VOLTAGE | 300V |
| CONDUCTOR INSULATION MATERIAL | PVC |
| NUMBER OF CONDUCTORS | 8X18AWG |
| TEMPERATURE RANGE | -40°C — +85°C |
| PROTECTION CLASS | IEC IP67 |



| REV | COUNT | DESCRIPTION OF REVISIONS | BY | CHECKED | DATE |
|-----|-------|--------------------------|----|---------|------|
| | | | | | |
| | | | | | |
| | | | | | |

| | | |
|-----------------------------------|--|---------------------------------------|
| UNIT OF MEASUREMENT MILLIMETER | Tianjin Geneuo Technology Co.,Ltd | |
| Approved: Date: | Date: 2019.3.18 | Description: FDWZ8-82-x/M20 |
| Process: Date: | Scale: 1:1 | |
| Checked: Date: | 3RD Angle Projection | www.gsee-tech.cn www.gsee-tech.com |
| Designed: ZL Date: 2019.4.9 | | |
| SOURCE DRAWING-FOR REFERENCE ONLY | | |

